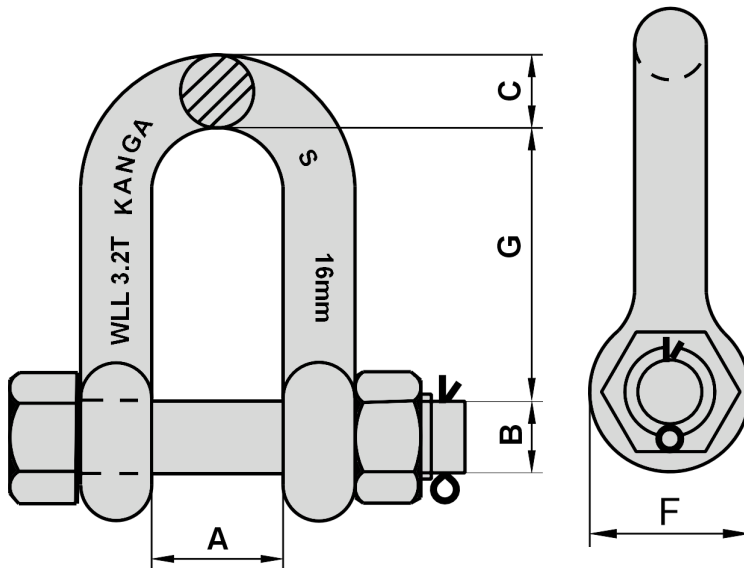


LIFTING COMPONENTS

Safety Pin Dee Shackle Grade-S

DESCRIPTION

- Forged: quenched and tempered with alloy pin
- WLL permanently shown on every shackle
- Hot dip galvanised body, yellow pin
- Fatigue rated



Part Number	WLL (t)	Weight (Kg)	Size (mm)	Dimensions in (mm)				
				A	B	C	F	G
06DSS02T	2	0.34	13	21	16	13	33	41
06DSS03.2T	3.2	0.67	16	27	19	16	40	51
06DSS04.7T	4.7	1.14	19	32	22	19	48	60
06DSS06.5T	6.5	1.75	22	37	25	22	54	71
06DSS08.5T	8.5	2.52	25	43	29	25	60	81
06DSS09.5T	9.5	3.45	29	46	32	29	67	90
06DSS12T	12	4.93	32	52	35	32	76	100
06DSS17T	17	8.4	38	60	44	38	92	124
06DSS25T	25	14.26	44	73	51	44	110	146