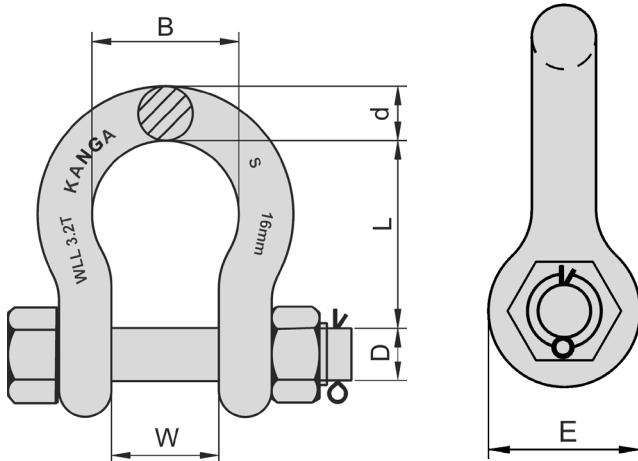


LIFTING COMPONENTS

Safety Bow Shackle Grade-S

DESCRIPTION

- Forged: quenched and tempered with alloy pin
- WLL permanently shown on every shackle
- Hot dip galvanised body, yellow pin
- Fatigue rated



Part Number	WLL (T)	Size (mm)	Weight (KG)	Dimensions (mm)					
				B	D	d	E	L	W
06BSS01T	1	10	0.15	27	11	10	25	37	18
06BSS01.5T	1.5	11	0.23	29	13	11.5	27	43	19
06BSS02T	2	13	0.36	33	16	13	33	48	21
06BSS03.25T	3.25	16	0.76	43	19	16	40	61	27
06BSS04.75T	4.75	19	1.23	51	22	19	48	82	32
06BSS06.5T	6.5	22	1.79	58	25	22	54	84	37
06BSS08.5T	8.5	25	2.57	68	29	25	60	95	43
06BSS09.5T	9.5	29	3.75	74	32	29	67	108	46
06BSS12T	12	32	5.32	83	35	32	74	121	50
06BSS13.5T	13.5	35	7.18	92	38	35	84	133	57
06BSS17T	17	38	9.44	98	44	38	92	146	60
06BSS25T	25	45	15.39	127	51	44	110	178	73
06BSS35T	35	51	23.73	146	57	51	127	197	83
06BSS42.5T	42.5	57	29.01	160	63	57	143	222	95
06BSS55T	55	63	44	184	70	63	165	254	108
06BSS85T	85	76	76	200	83	76	165	330	127